



HSG40A

Magnetic Encoder



Application

- Industrial Automation Equipment

Feature

- High Speed
- Small Size
- Low Cost

Electrical

Detection System	Incremental Magnetic
Power Source	DC 5V DC 8V ~ 24V
Current Consumption	85mA or below
Response Frequency	300KHz
Output Voltage	VoH: Vcc - 0.7V, VoL: 0.5V
Output Phase	A, B, Z
Output Wave Form	
Output Mode	Voltage-Output Open-Collector Push-Pull Line-Driver

Connection

Red	Black	White
+	-	A
Green	Yellow	Shield
B	Z	

Resolution

1024 P/R

Mechanical Spec.

Shaft Diameter	Φ6mm
Starting Torque	0.2 Ncm
Shaft Loading	Radial: 80N Axial: 50N
Max. R.P.M.	12000
Net Weight	150G

Environmental Spec.

Operating Temp.	-10°C ~ +70°C
Storage Temp.	-20°C ~ +80°C
Operating Humidity	RH 85% max Non-Collecting
Shock	490 m/s ² , 3Dx2 times
Vibration	0.6mm 10 ~ 55KHz 3Dx30min.
Protection	IP 64

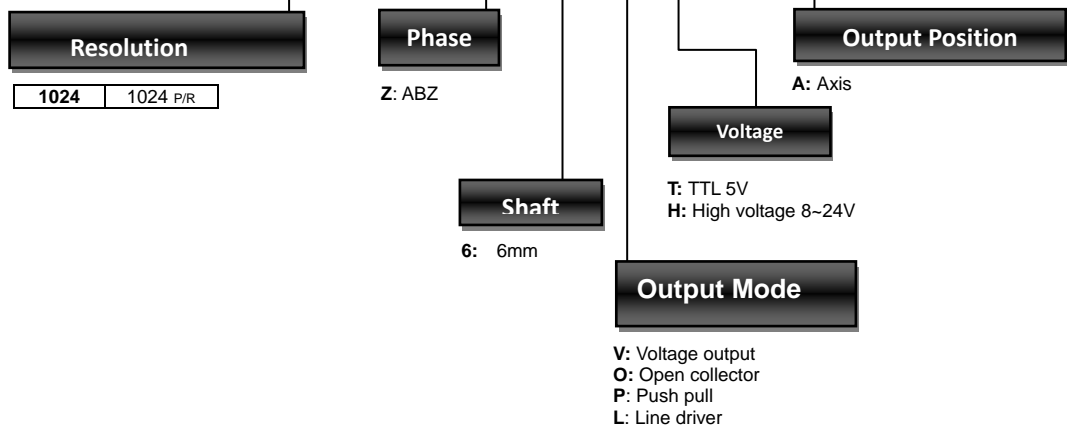


HSG40A

Magnetic Encoder

Ordering Information

H S G 4 0 A - □ □ □ □ - □ 6 □ □ - □ 0 1 0



Mechanical Drawing

