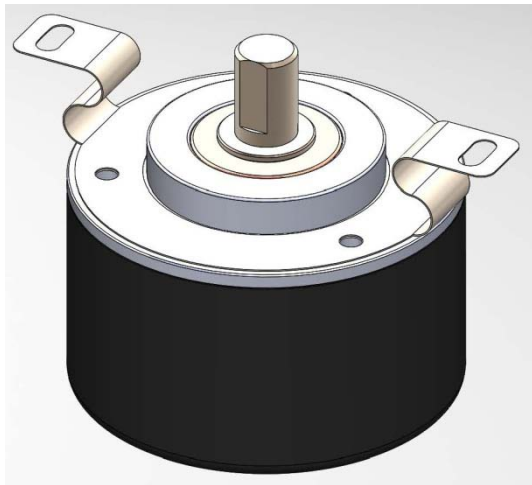




HS50B

Shaft Type Encoder



Application 應用

- Industry Machine 產業機械
- Automated Equipment 自動化設備

Feature 特點

- Reliable sturdy design 可靠的堅固設計
- Small Size & Easy Mounting 體積小&易安裝
- ESD (IEC61000-4-2) 靜電(IEC61000-4-2)
- Reverse connection protection 電氣極性錯誤保護
- Short-Circuit protection 短路保護

Resolution 解析度

360, 400, 500, 512, 600, 625, 720, 800, 1000, 1024, 1200, 1250, 1440, 1600, 2000, 2048, 2400, 2500 P/R

Electrical 電氣規格

	Z□VH、Z□VT Z□OH、Z□OT	Z□PH、Z□PT	Z□KH、Z□KT	Z□LH、Z□LT
Supply voltage*	4.5 ~ 5.5V、8 ~ 30V		4.5 ~ 5.5V、8 ~ 30V	
Supply current (Max)	80mA		100mA	
Signal	A, B, Z		A, B, Z	A+, A-, B+, B-, Z+, Z-
Rise/fall time (Max)	1us**	100ns	100ns	
Frequency	300kHz	500kHz	500kHz	
Outout voltage	"H"	VCC - 2V		VCC - 2V
	"L"	0.5V Max		0.5V Max
Max. output current	20mA	120mA	120mA	20mA

* Ripple < 100mVp-p

** Pull up Resistance = 2kΩ

Mechanical Spec. 機械規格

Shaft Diameter 軸徑	Φ4.5, 6, 6.35, 8, 9.525, 10 mm
Starting Torque 啟動轉矩	<0.8 Ncm
Shaft Loading 軸荷重	Radial 徑向: 80 N
	Axial 軸向: 50 N
Max. R.P.M. 最大轉速	6000、12000* rpm
Net Weight 淨重	150g

*Option 選配

Environmental Spec. 環境條件

Operating Temp. 操作溫度	-20 ~ +85°C
Storage Temp. 保存溫度	-20 ~ +85°C
Operating Humidity 操作溼度	RH 95% max
	non-collecting
Shock 衝擊	490 m/s ² , 3Dx2 times
Vibration 震動	1.2mm, 10~55KHZ, 3Dx30min.
Protection 防護等級	IP 54



HS50B

Shaft Type Encoder

Connection 接線方式

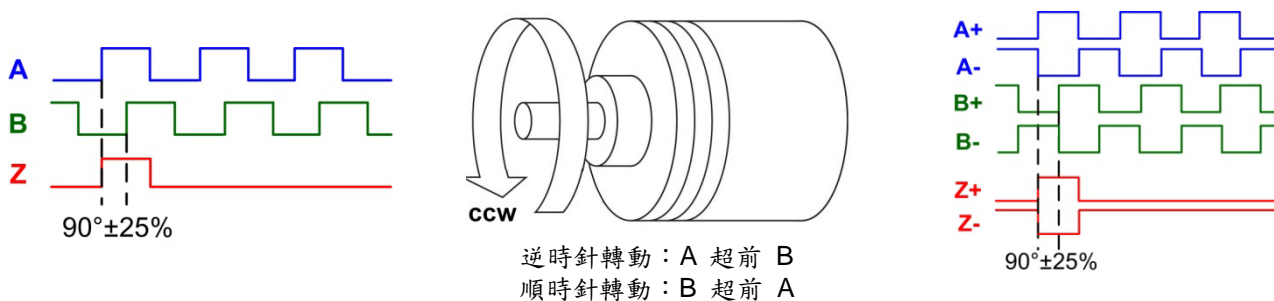
Signal : A, B, Z (UL2464、AWG 26、5pin + shield)

紅	黑	白	綠	黃	
Vcc	Gnd	A	B	Z	Shield

Signal : A+, A-, B+, B-, Z+, Z- (UL2517、AWG 28、8pin + shield)

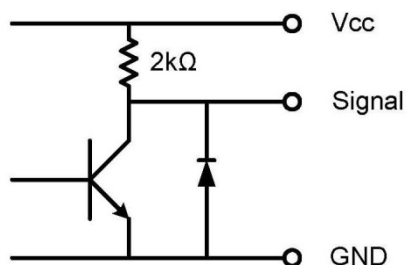
紅	黑	白	白/黑	綠	綠/黑	黃	黃/黑	
Vcc	Gnd	A+	A-	B+	B-	Z+	Z-	Shield

Wave form

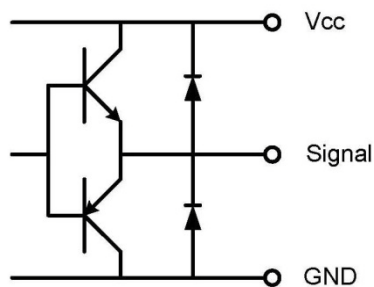


輸出電路

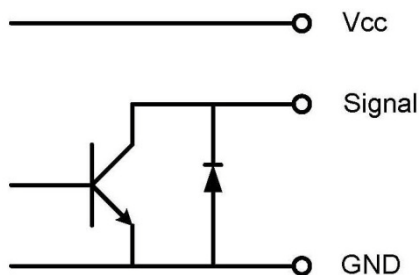
Voltage output



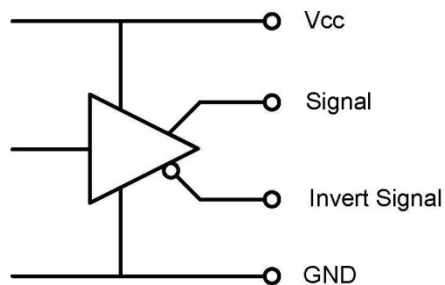
Push pull



Open collector



Line driver 5V =>(26C31)、30V(7272)





HS50B

Shaft Type Encoder

Ordering Information 訂購資訊

HS50B - XXXX - X X X X - RXXX

解析度 (Resolution)
360 ~ 2500

輸出相位 (Phase)
Z A, B, Z

軸孔 (Hollow)	
4	4mm
5	5mm
6	6mm
6.35	6.35mm
8	8mm
9.53	9.525mm
10	10mm

線材長度 (Type No.)
010, 020, 030 ...

工作電壓 (Supply voltage)	
H	8~30V
T	TTL(5V)

輸出電路 (Output circuit)	
V	Voltage output (NPN)
O	Open collector
P	Push pull (HTL)
K	Push pull (with inverted signal) *
L	Line Driver

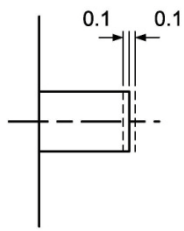
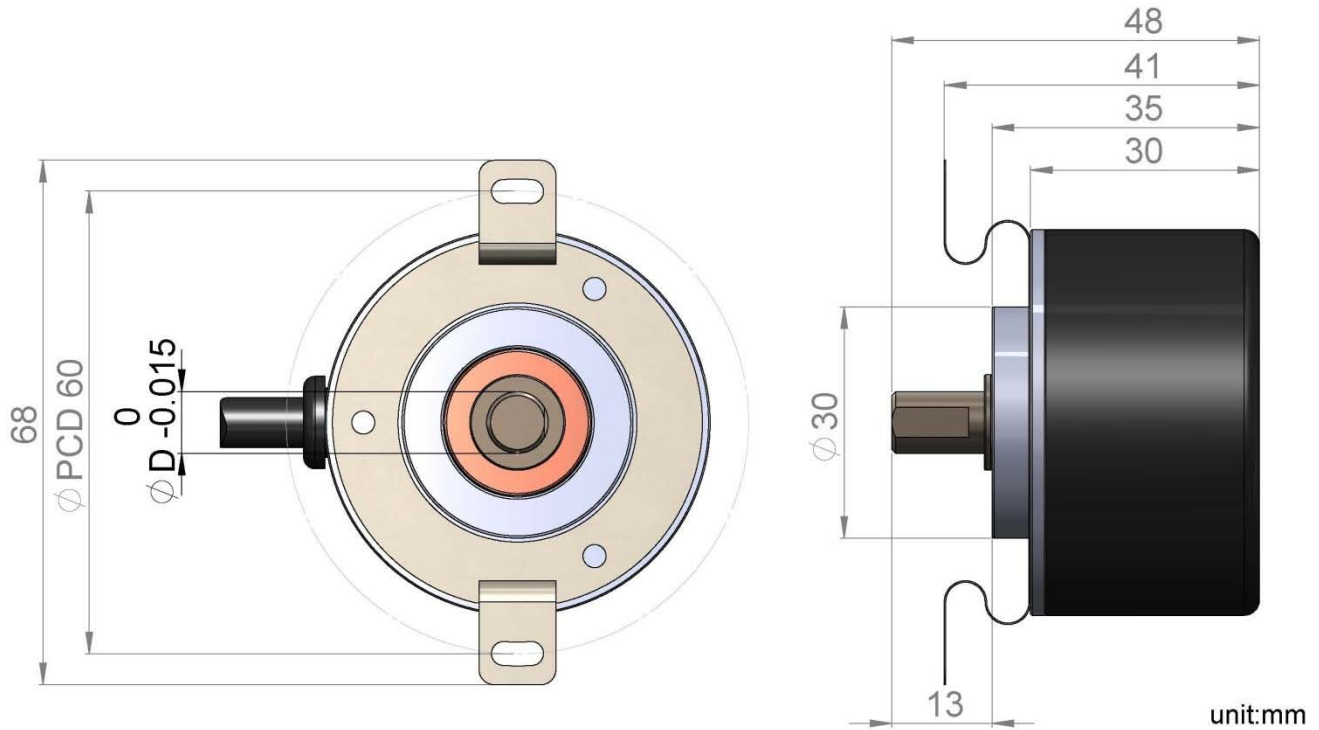
*Push Pull (with inverted signal) => Option



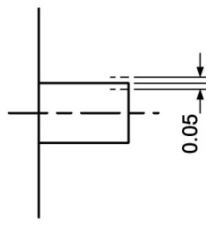
HS50B

Shaft Type Encoder

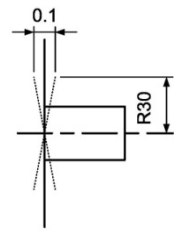
Mechanical Drawing 外型尺寸



軸向結合公差



徑向結合公差



同心角度公差