



HS-401

Encoder Module



Feature

- Two Channel Quadrature Output with Index Pulse
- Low Cost
- Easy to Mount
- No Signal Adjustment required
- Small Size
- TTL Compatible
- Single 5V Supply

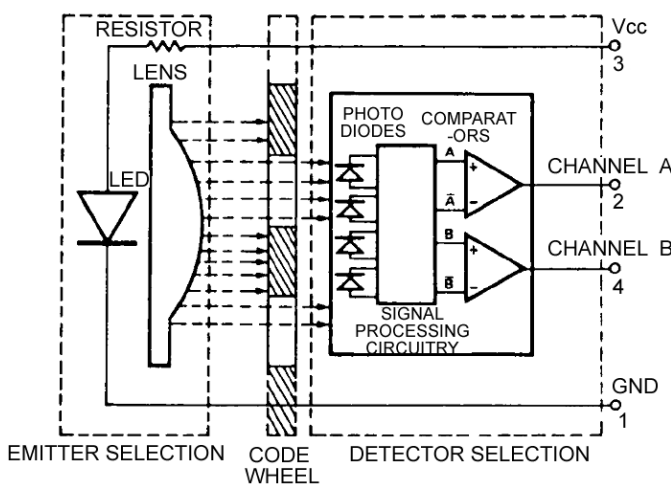
Absolute Maximum Ratings

Operating / Storage Temp.	-10 ~ +85°C
Supply Voltage	-0.5 ~ 7V
Output Voltage	-0.5 ~ V _{cc}
Output Current per Channel	-1.0 ~ 18 mA
Response Frequency	100KHz

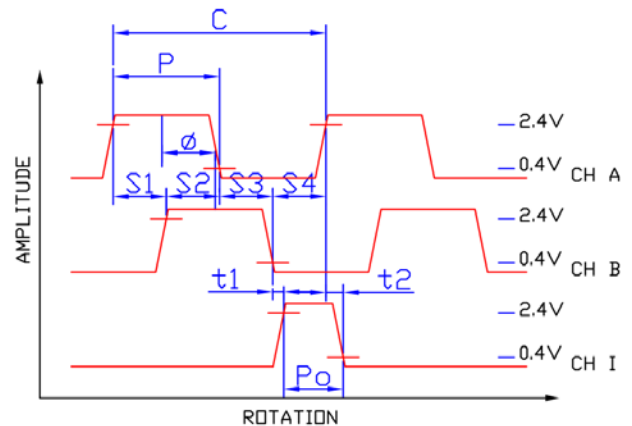
Resolution

100, 200, 300, 400, 500, 600, 1000, 1024, 2000, 2048 CPR

Block Diagram



Output Waveform



Ordering Information

HS - 401	Bore Diameter	Resolution P/R	Output Mode	Output Phase	Power Source
	4: Φ 4mm, 5: Φ 5mm, 6: Φ 6mm, 6.35: Φ 6.35mm, 8: Φ 6mm	100, 200, 300, 400, 500, 600, 1000, 1024, 2000, 2048 ²	V: Voltage	2: A, B phase 3: A, B, Z phase	5: DC 5V 8: DC 8~24V



HS-401

Encoder Module

Package Dimension (Unit: mm)

