



# EXHBI

Explosin-Proff Type Encoder



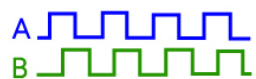
## Application

- For Elevator Use
- Explosive Environment

## Feature

- Electrical Apparatus for Explosive Gas Atmospheres - Intrinsic Safety "I"

## Electrical

Detection System	Incremental
Power Source	DC 8~24V
Current Consumption	50 mA or below
Response Frequency	30 KHz
Output Voltag	VoH: Vcc – 0.7V, VoL: 0.5V
Output Phase	A, B
Output Wave Form	
Output Mode	Voltage

## Connection

Red	Black	White
+	-	A
Green	Shield	
B		

## Resolution

600, 1024 P/R

## Mechanical Spec.

Shaft Diameter	Φ30mm
Starting Torque	6 Ncm
Shaft Loading	Radial: 200 N Axial: 100 N
Max. R.P.M.	3000
Net Weight	1010g

## Environmental Spec.

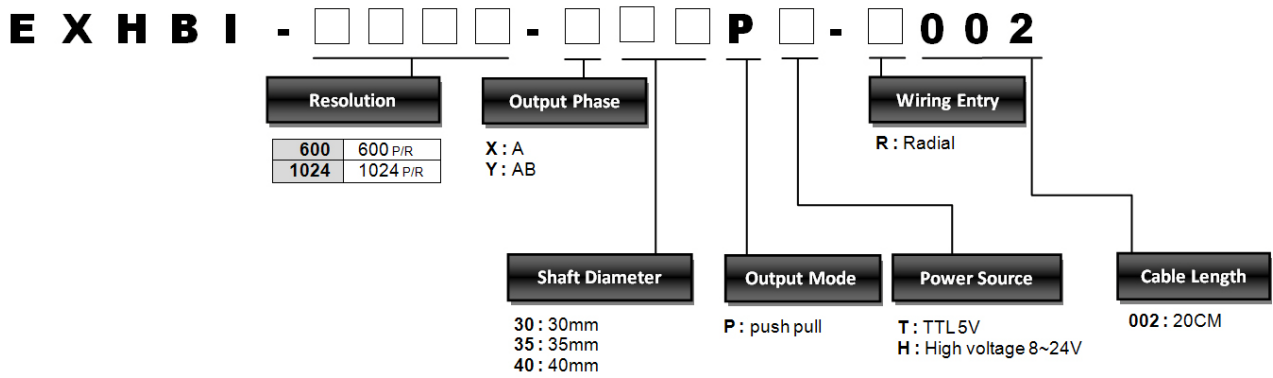
Operating Temp.	-10 ~ +70°C
Storage Temp.	-20 ~ +80°C
Operating Humidity	RH 85% max non-collecting
Shock	490 m/s <sup>2</sup> , 3Dx2 times
Vibration	0.6mm, 10~55KHz, 3Dx30min.
Protection	IP 54



# EXHBI

Explosin-Proff Type Encoder

## Ordering Information



## Mechanical Drawing

Unit: mm

