

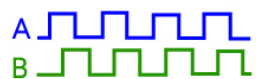


# EHW-HD

Shaft Type Encoder



## Electrical

Detection System	Incremental
Power Source	DC 5V, 8 ~ 24V
Current Consumption	50 mA or below
Response Frequency	30 KHz
Output Voltag	VoH: Vcc – 0.7V, VoL: 0.5V
Output Phase	A, B
Output Wave Form	
Output Mode	Open Collector, Voltage

## Connection

Red	Black	White
+	-	A
Green	Shield	
B		

## Application

- Industry Machine

## Feature

- Big Size
- Heavy Duty

## Resolution

20, 30, 40, 50, 60, 100, 120, 200, 300, 360,  
400, 500 P/R

## Mechanical Spec.

Shaft Diameter	Φ25mm
Starting Torque	3 Ncm
Shaft Loading	Radial: 400 N Axial: 400 N
Max. R.P.M.	6000
Net Weight	970g

## Environmental Spec.

Operating Temp.	-10 ~ +70°C
Storage Temp.	-20 ~ +80°C
Operating Humidity	RH 85% max non-collecting
Shock	490 m/s <sup>2</sup> , 3Dx2 times
Vibration	0.6mm, 10~55KHz, 3Dx30min.
Protection	IP 54



# EHW-HD

Shaft Type Encoder

## Ordering Information

**E H W - H D -**     **-**  **2 5**   **-**  **0 1 5**

Resolution			
20	20 P/R	120	120 P/R
30	30 P/R	200	200 P/R
40	40 P/R	300	300 P/R
50	50 P/R	360	360 P/R
60	60 P/R	400	400 P/R
100	100 P/R	500	500 P/R

**Output Phase**  
 X: A  
 Y: AB

**Shaft Diameter**  
 25: 25mm

**Output Mode**  
 V: voltage output  
 O: open collector

**Power Source**  
 T: TTL5V  
 H: High voltage 8~24V

**Wiring Entry**  
 A: axis

**Cable Length**  
 015: 1.5M

## Mechanical Drawing

Unit: mm

