

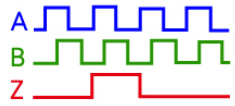


CHD

Shaft Type Encoder



Electrical

Detection System	Incremental
Power Source	DC 5V, 8 ~ 24V
Current Consumption	50 mA or below
Response Frequency	50 KHz
Output Voltag	VoH: Vcc – 0.7V, VoL: 0.5V
Output Phase	A, B A, B, Z
Output Wave Form	
Output Mode	push-pull

Connection

Red	Black	White
+	-	A
Green	Yellow	Shield
B	Z	⏏

Application

- Light Duty Industry Machine

Feature

- General Purpose
- Small Size
- Low Cost

Resolution

100, 200, 256, 300, 360, 400, 500, 512,
1000, 1024 P/R

Mechanical Spec.

Shaft Diameter	∅6mm
Starting Torque	0.2 Ncm
Shaft Loading	Radial: 80N Axial: 50 N
Max. R.P.M.	6000
Net Weight	130g

Environmental Spec.

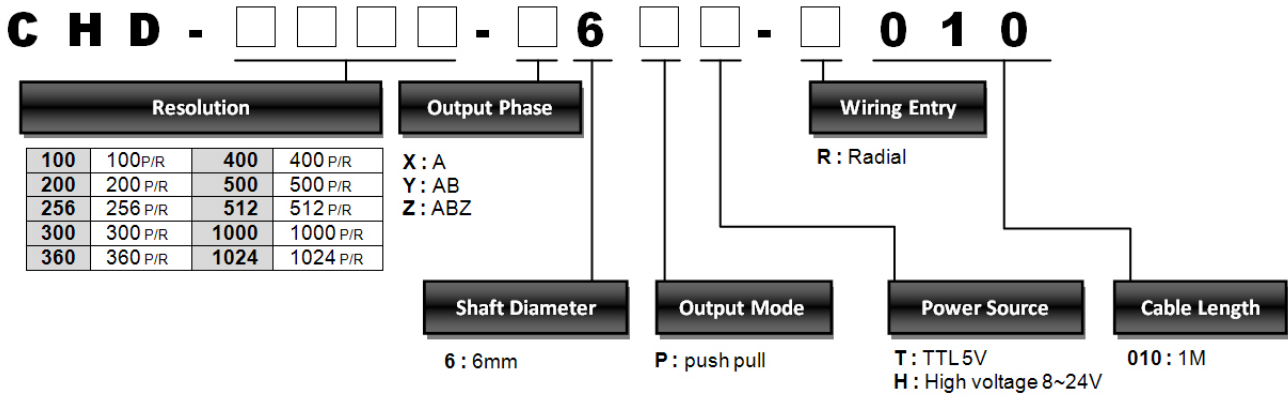
Operating Temp.	-10 ~ +70°C
Storage Temp.	-20 ~ +80°C
Operating Humidity	RH 85% max non-collecting
Shock	490 m/s ² , 3Dx2 times
Vibration	0.6mm, 10~55KHz, 3Dx30min.
Protection	IP 54



CHD

Shaft Type Encoder

Ordering Information



Mechanical Drawing

Unit: mm

